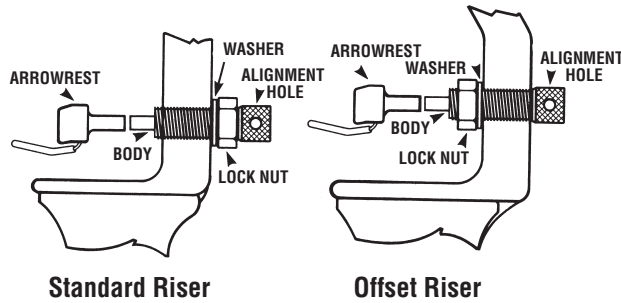


Centerest® Flipper® Installation

Right Hand Models Shown

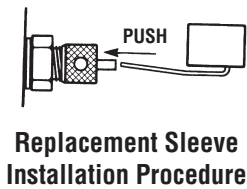


Centerest Flipper® can be adjusted left or right of center as needed for optimum arrow flight (1/4 Turn = 0.01"). It is ideal for hunters since it can be replaced instantly in the field without affecting original sight settings.

Arrowrest Replacement Instructions

Pull arrowrest off of body.

Press replacement arrowrest firmly on square portion of body until it stops. Further adjustment should not be necessary.



**Replacement Sleeve
Installation Procedure**

Felt Pad